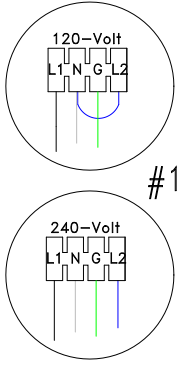
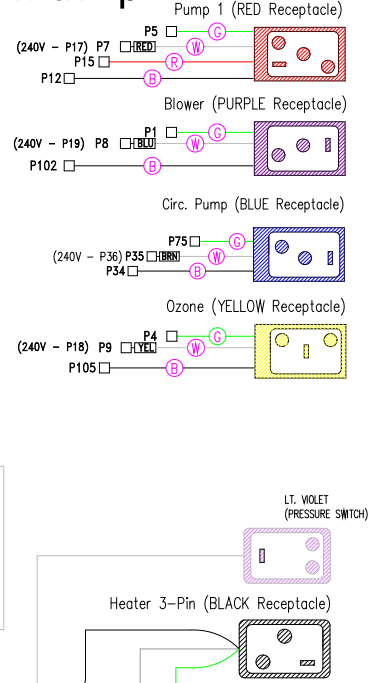


Receptacles with lip



#1

Manufacture Notes:
#1: Line 2 and Neutral must be jumpered for 120V service

LEGEND	
□	- 1/4" QUICK CONNECT
▢	- 1/4" QUICK CONNECT PIGGYBACK
⊞	- FORK CONNECTOR
○	- RING CONNECTOR
◻	- SOCKET CONNECTOR
△	- PIN CONNECTOR

Drawn	Rev	Wire Color Code	
MBS	03	B - Black	G - Green
Date	05.04.10	Br - Brown	Bl - Blue
Diagram No.	6838	R - Red	V - Violet
		O - Orange	W - White
		Y - Yellow	Gr - Gray